

# HYDRAULIC GENERATORS

## Hydraulic Drive Magnet Generators

Bateman Hydraulic Generators are purpose built to provide dependable electric power to running your scrap magnet, Bateman Mag-Grab, Bateman Bypass/Power Grab, Bateman Demo-Mag or Bateman Mag-Bucket. These reliable generators are equipped with maintenance free, solid state, piggy back mounted controllers.

A dedicated pump mounted on an auxiliary drive pad on the main pump provides trouble free performance and eliminates slow machine functions and off tracking. These issues are common to add-on priority control valve systems that share boom circuit flow. A standard 2 position D0-5 valve controls flow to the generator motor, subplate mounted and includes a cartridge relief valve for pressure control.

- Adjustable Power Output Limit
- Torque Limiting
- Six Selectable Lift/Drop Magnet Control Modes
- Integrated Real Time Performance Display
- Integrated Insulation Monitor



Hydraulic Motor Adapter and 4 Jaw Coupling

Magnet Generator with Solid State Controller

High Speed, High Pressure Piston Motor Matched to Application

24 Volt DC Directional Control Valve, Sub-Plate Mounted with Relief Cartridge

HMI Cable with Quick Disconnects to Connect to Controller

Cab Mounted HMI (Human Machine Interface) Indicates Operating Status and Operator History. Includes Mounting Plate and Control Switch for Solenoid Valve

65 Ft Magnet Cable with Heavy Duty Twist-Lock Connectors and Quick Disconnect Plug to Controller

16-3 Cable for Solenoid Wiring

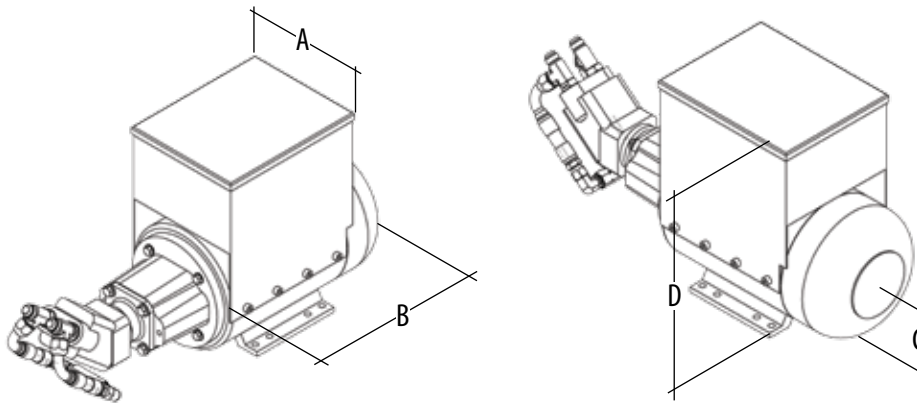
Fuse Holder and 5 amp Fuse for Solenoid Power



5 Winstar Road, Oro-Medonte  
Ontario, Canada L0L 2L0

P 705-487-5020 F 705-487-5290  
www.batemanmanufacturing.com

## Kit Contents and Specifications



MODEL (GEN. OUTPUT)	No. OF POLES	MAG. SIZE (IN)	IMPULSE VOLT. RUN VOLT. Nom. CURRENT	OPTIMUM SPEED SPEED RANGE (RPM MIN-MAX)	WEIGHT KG / LBS	OVERALL LENGTH w/ MOTOR (MM/IN)	DIMENSIONS (MM/IN)			
							A	B	C	D
9kW HydGEN	2	24-40	280 DCV 230 DCV 39 AMPs	3000 RPM 2700-4500	75 / 165	767 / 30.2	264 / 10.4	434 / 17.1	132 / 5.9	427 / 16.8
9kW HydGEN	4	24-40	280 DCV 230 DCV 39 AMPs	2000 RPM 1800-3600	75 / 165	767 / 30.2	264 / 10.4	434 / 17.1	132 / 5.9	427 / 16.8
15kW HydGEN	2	40-57	280 DCV 230 DCV 65 AMPs	3000 RPM 2700-4500	95 / 210	785 / 30.9	264 / 10.4	452 / 17.8	132 / 5.9	427 / 16.8
15kW HydGEN	4	40-57	280 DCV 230 DCV 65 AMPs	2000 RPM 1800-3600	95 / 210	785 / 30.9	264 / 10.4	452 / 17.8	132 / 5.9	427 / 16.8
20kW HydGEN	2	57-67	280 DCV 230 DCV 87 AMPs	3000 RPM 2700-4500	118 / 260	848 / 33.4	264 / 10.4	525 / 20.3	132 / 5.9	505 / 19.9
20kW HydGEN	4	57-67	280 DCV 230 DCV 87 AMPs	2000 RPM 1800-3600	118 / 260	848 / 33.4	264 / 10.4	525 / 20.3	132 / 5.9	505 / 19.9
30kW HydGEN	4	60-78	280 DCV 230 DCV 130 AMPs	1800 RPM 1500-3000	180 / 397		324 / 12.8	635 / 25	160 / 6.3	565 / 22.2

