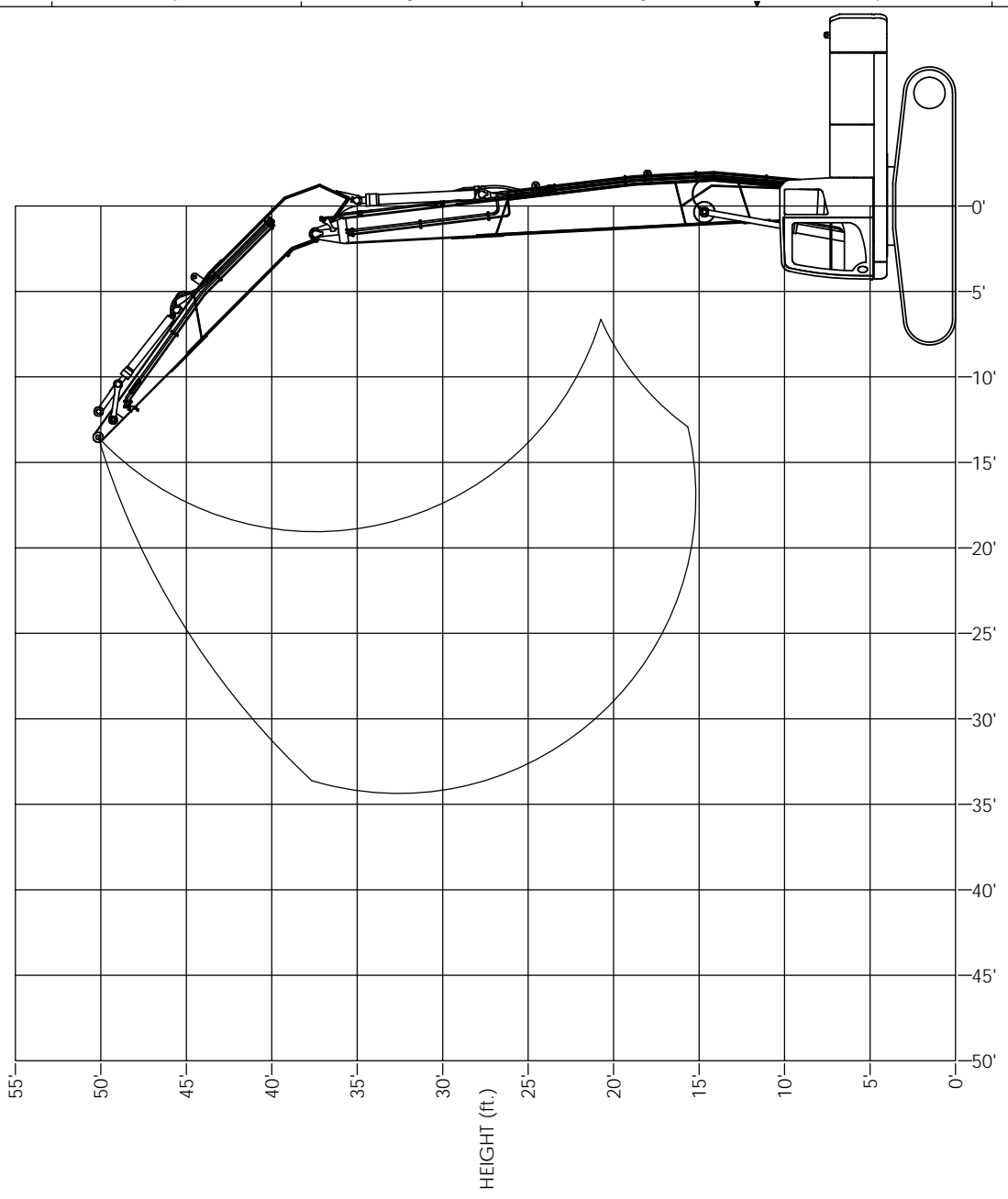


REVISIONS				
ZONE	REV.	DESCRIPTION	DATE	APPROVED



MATERIAL:		
DESIGN	SCALE	DATE
APPROVED	BY	DATE
REV.	DATE	


 4805 SCOOPY LANE NW  
 CARROLL, OHIO 43112  
 740-654-5304

*The Cutting Edge of Customer Service*

PROPRIETARY AND CONFIDENTIAL  
 THE INFORMATION CONTAINED HEREIN  
 IS THE SOLE PROPERTY OF  
 COMPANY WRENCH, AND  
 SHALL REMAIN THE PROPERTY OF  
 COMPANY WRENCH AND IS NOT TO BE  
 REPRODUCED OR TRANSMITTED IN ANY  
 FORM OR BY ANY MEANS, ELECTRONIC OR  
 MECHANICAL, INCLUDING PHOTOCOPYING, RECORDING, OR BY ANY INFORMATION STORAGE AND RETRIEVAL SYSTEM, WITHOUT THE WRITTEN PERMISSION OF COMPANY WRENCH.

<small>UNLESS OTHERWISE SPECIFIED DIMENSIONS FOR PARTS ARE AS FOLLOWS:</small> DECIMAL: .0001" FRACTIONAL: 1/16" ANGLE: .1° WEIGHT:	TITLE: PC270LC-8 - 50' HIGH REACH RANGE SCALE: 1:40 SHEET 1 OF 1	DWG./PART NO.: OM10752-3
---	--	--------------------------