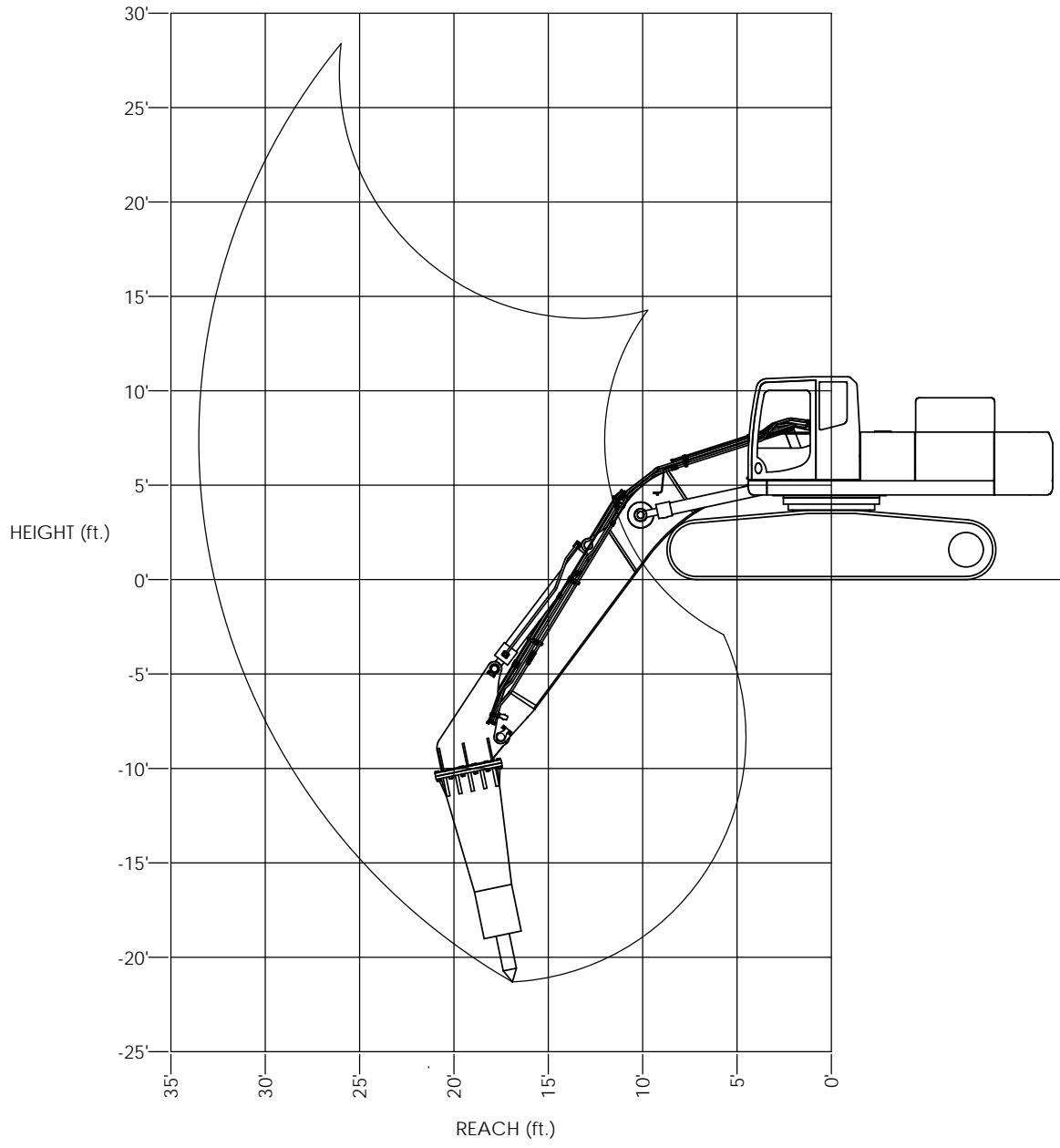



| REVISIONS | | | | |
|-----------|------|-------------|------|----------|
| ZONE | REV. | DESCRIPTION | DATE | APPROVED |
| | | | | |



| | | | |
|--|------|------|--|
| MATERIAL: | | |  <p>4805 SCOOPY LANE NW CARROLL, OHIO 43112 740-654-5304</p> <p><i>The Cutting Edge of Customer Service</i></p> |
| DESIGN | DATE | REV. | |
| APPROVED | | | |
| | | | |
| <small>PROPRIETARY AND CONFIDENTIAL THE INFORMATION CONTAINED HEREIN IS THE SOLE PROPERTY OF COMPANY WRENCH. ANY REPRODUCTION OR DISSEMINATION OF THIS INFORMATION WITHOUT THE WRITTEN PERMISSION OF COMPANY WRENCH IS PROHIBITED.</small> | | | <small>UNLESS OTHERWISE SPECIFIED DIMENSIONS TO DIMENSIONS ARE AS FOLLOWS:</small> DECIMAL: .0001" FRACTIONAL: 1/16" ANGLE: .1° |
| TITLE: | | | PC400-7-PC490-10 - HP16000 2ND MEMBER RANGE |
| SCALE: 1:36 | | | SIZE: D |
| SHEET 1 OF 1 | | | DWG./PART NO. OM12477-1 |